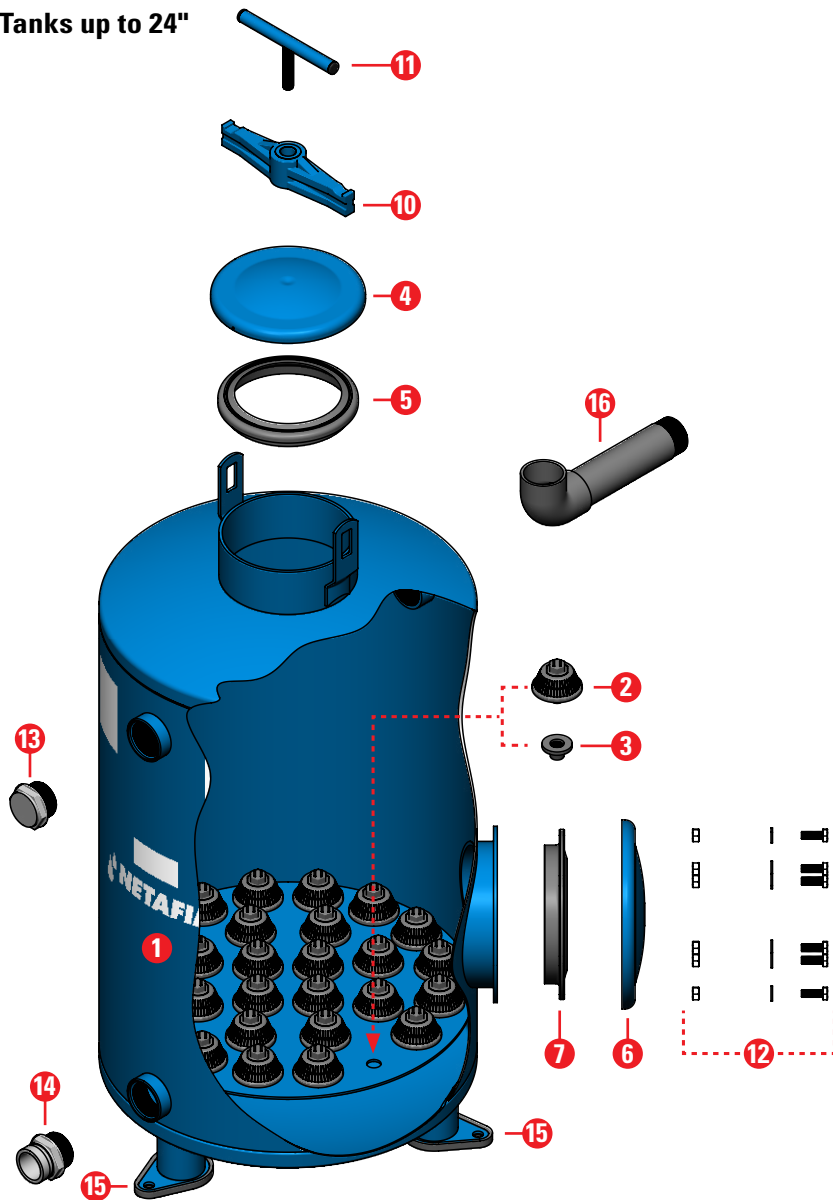


SPARE PARTS BREAKDOWN:

Metal double chamber V2 20" 24"

Tanks - double-chamber - Version 2

Tanks up to 24"



Part	Description	Tank diameter (in)	Cat. No.
1	Filter body	Not available as spare part	
2	Mushroom diffuser	All	71915-000102
3	Mushroom rubber gasket	All	71915-000103
4	Top service cover	8"	12,16,20,24,30,36
		9"	48
5	Top service cover gasket	8"	12,16,20,24,30,36
		9"	48
6	Side service cover	7"	12,16,20
		9"	24,30,36,48
7	Side service cover gasket	7"	12,16,20
		9"	24,30,36,48
8	Bottom service cover	7"	30,36,48
9	bottom service cover gasket	7"	30,36,48
10	Tightening bridge	12,16,20,24,30,36	71915-000104
11	Tightening handle	12,16,20,24,30,36	71915-000105
12	Cover bolts and nuts kit (X6 M12 bolts, nuts and washers)	All	71915-000137
13	2" male plug	BSP	All
		NPT	All
14	2" male adaptor	BSP	12,16,20,24
		NPT	12,16,20,24
15	Rubber leg cup	All	71915-000136
16	PVC nipple and elbow	12	71915-000116
		16	71915-000117
		20	71915-000118
		24	71915-000119

Quantity of mushroom diffusers and rubber gaskets

Tank diameter (in)	Quantity
12	8
16	14
20	16
24	28
30	44
36	60
48	104