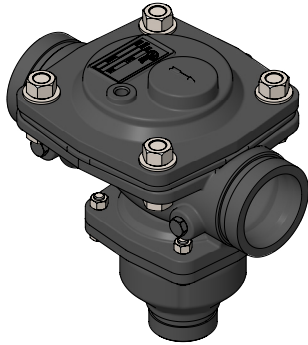


# SPARE PARTS BREAKDOWN:

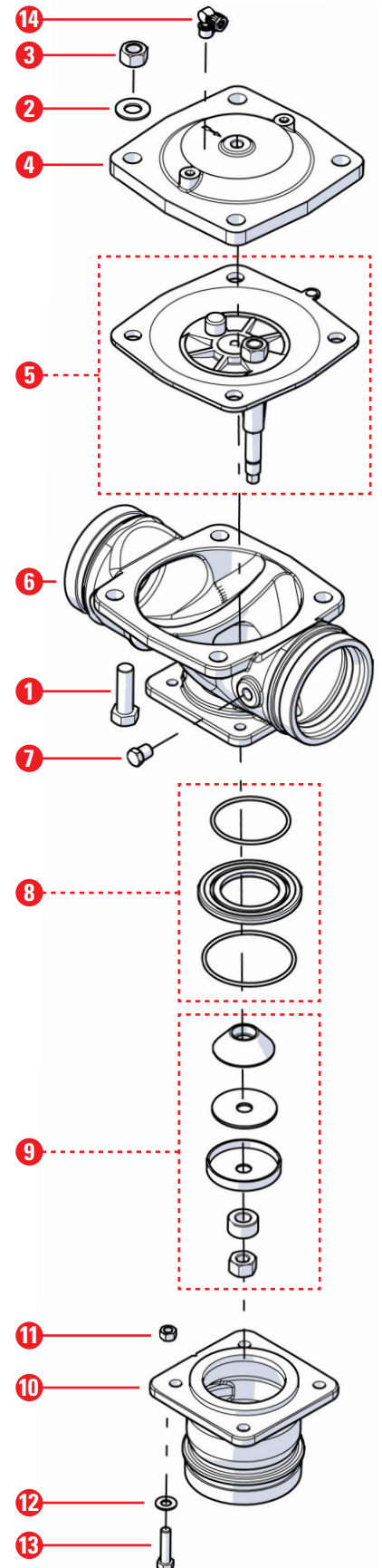
## Backwash 3-way hydraulic valve - 3"

| Description               | Cat. No.     |
|---------------------------|--------------|
| 3-way hydraulic valve, 3" | 71600-006670 |



### Main parts

| Part | Description        | Cat. No.     |
|------|--------------------|--------------|
| 1    | Bolt 5/8*50 steel  | 71680-001710 |
| 2    | Washer 5/8         | 76540-001100 |
| 3    | Nut 5/8            | 76540-001000 |
| 4    | Bonnet             | 71680-001721 |
| 5    | Diaphragm assembly | 71680-007750 |
| 6    | Body               | 71680-012925 |
| 7    | Plug               | 71610-000800 |
| 8    | Seat kit           | 71680-001713 |
| 9    | Plug kit           | 71680-001723 |
| 10   | BSP adaptor        | 71680-001722 |
| 11   | Nut                | 71680-011700 |
| 12   | Washer             | 71680-011600 |
| 13   | Bolt               | 71680-011540 |
| 14   | Elbow 8x1/4 in     | 76400-003500 |



## Assemblies

| Part | Description        | Cat. No.     |
|------|--------------------|--------------|
| 5    | Diaphragm assembly | 71680-007750 |
| 8    | Seat kit           | 71680-001713 |
| 9    | Plug kit           | 71680-001723 |

## Assemblies - sub-parts

| part | Description | 5 | 8 | 9 |
|------|-------------|---|---|---|
| 5.1  | Support pin | + |   |   |
| 5.2  | Nut         | + |   |   |
| 5.3  | Top disc    | + |   |   |
| 5.4  | Diaphragm   | + |   |   |
| 5.5  | Shaft disc  | + |   |   |
| 5.6  | Shaft       | + |   |   |
| 8.1  | O-ring      |   | + |   |
| 8.2  | Seat        |   | + |   |
| 8.3  | O-ring      |   | + |   |
| 9.1  | Guide cone  |   |   | + |
| 9.2  | Seal        |   |   | + |
| 9.3  | Seal bowl   |   |   | + |
| 9.4  | Spacer      |   |   | + |
| 9.5  | Nut         |   |   | + |

