



# ANGLE F100

## MANUAL FILTERS



### APPLICATIONS

Manual backup filter infield, check filter media system.

### STANDARD CHARACTERISTICS

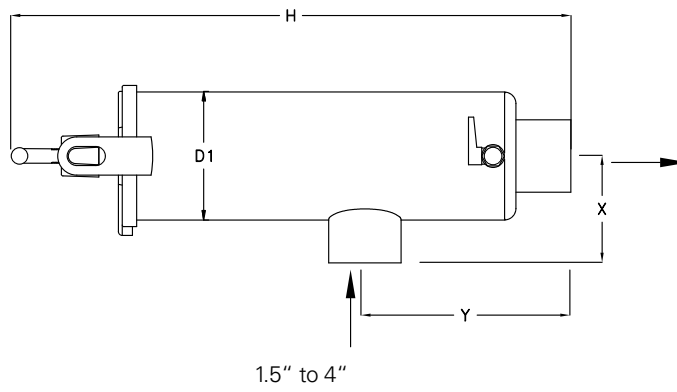
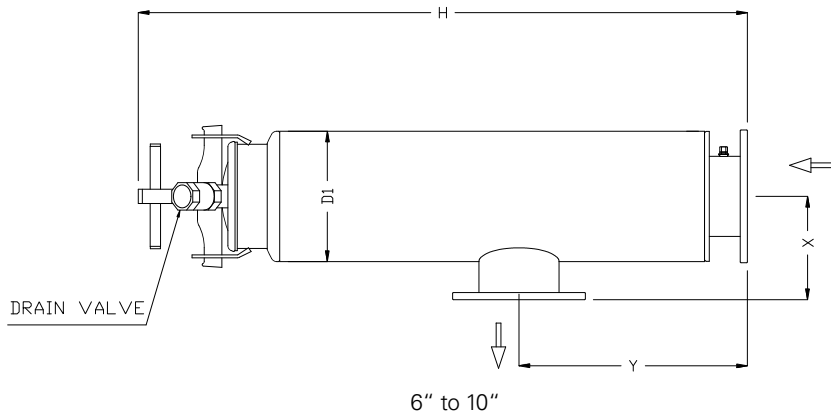
- Control filters with inlet/outlet with a 90° angle
- Filter element: - Stainless Steel screen AISI 316 mesh, supported by a PVC cylinder
- Available filtration grade: from 120 micron
- Filter housing construction material: Carbon Steel ST37.2
- Pre-treatment: sand blasting up to Sa 2.5 grade.
- Two layered coating process consisting of a one primary coating Rich Zinc (60 - 70µm thickness) and a final protective coating of Phenolic Epoxy (70 - 80µm thickness)
- Connections: Victaulic; Threaded socket and Flange
- Maximum pressure: 10 Bar (145 psi)
- Maximum recommended working pressure: up to 8 Bar (116 psi)

### OPERATION

The filters have been designed and built in accordance with the principle of water flow through the cylinder screen openings while solid particles are trapped by the screen. These particles can be easily removed by opening the cover and washing the screen manually. The drain valve is used for releasing pressure before opening for maintenance.

MODEL	IN/OUTLET DIAMETER		MAX FLOW M3/HR	D1 INCH	X MM	Y MM	H MM	WEIGHT KG
	INCH	MM						
1.5"	1.5	30	20	4	97	220	455	17.0
2"	2	50	25	6	130	230	469	12.9
2" Long	2	50	35	6	130	255	719	17.6
3"	3	75	50	6	140	270	729	23.0
4"	4	100	90	8	190	325	855	34.0
6"	6	150	220	10	217	480	1,308	62.0
8"	8	200	360	12	262	500	1,104	77.0
10"	10	250	540	14	278	610	1,179	105.0

Maximum recommended Flow Rate - 120 micron in good quality water



### PRESSURE LOSS AT 120 MICRON

