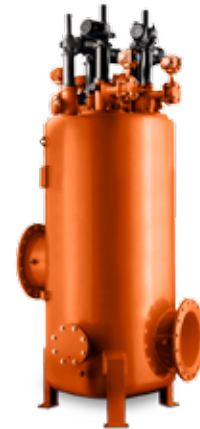




900 SERIES ELECTRIC SCREEN SERIES

VERTICAL & HORIZONTAL AUTOMATIC ELECTRIC SCREEN FILTERS



APPLICATIONS

Automatic self cleaning suction electric types, specially designed for very high flows – up to 14,000 m³/hr.

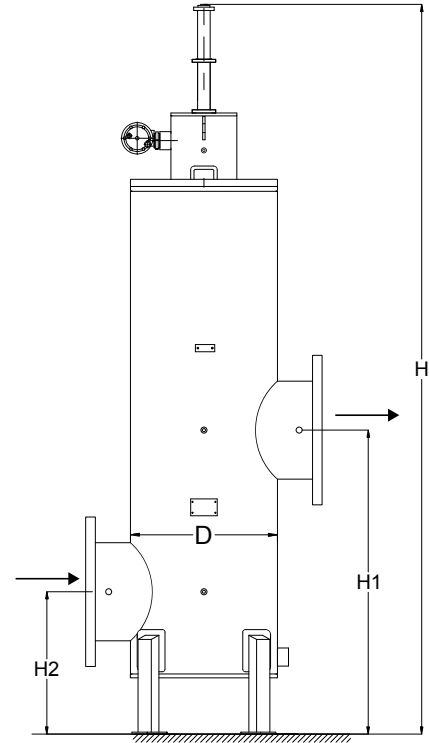
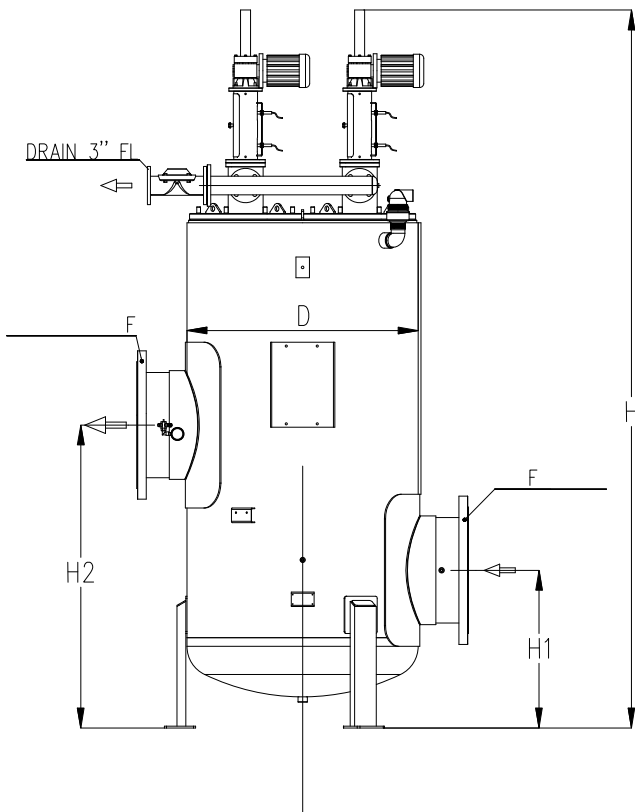
STANDARD CHARACTERISTICS

- Inlet/outlet parallel, on an axis of 90° or 180°
- Filters are supplied with a three layer stainless steel screens, available in varying micron sizes as needed: 10 to 3000 micron
- Two layered coating process consisting of a one primary coating Rich Zinc (60 - 70µm thickness) and a final protective coating of Phenolic Epoxy (70 - 80µm thickness)
- Maximum recommended working pressure: up to 16 bar (230 psi)
- Minimum operating working pressure during flushing: 2.5 bar (36 psi)
- Maximum water temperature: 65°C (149°F)
- Clean screen pressure loss: up to 0.1 Bar (1.45 psi)
- Minimum flushing flow (3" valve): 30 m³/h, (120 gpm)
- Filters are from 6" - 54" diameter

SPECIAL CHARACTERISTICS

- High pressure range: 16, 25, 40 bar (232, 362, 580 psi)
- High water temperature range: 95°C (203°F)
- Electric current: 110 V, 220 V, single phase, 3 phase, 24 V and solar energy
- Available controllers: electronics, timer, air actuated, computerized and custom design
- Filter with vertical layout – without coarse screen, inlet/outlet on an axis of 90°
- Filter with vertical layout – inlet/outlet on an axis of 180°, with/without coarse screen
- Adjustable nozzles for filtration degree lower than 50 micron

MODEL	IN/OUT DIAMETER	MAX FLOW RATE	SURFACE AREA	EFFECTIVE AREA	L	L1	L2
	INCH	M ³ /HR	CM ²	CM ²	MM	MM	MM
AF906 HORIZONTAL	6	150	5,780	4,530	900	1,410	2,145
AF908 HORIZONTAL	8	160	8,410	6,795	900	1,560	2,295
AF910 HORIZONTAL	10	450	11,710	9,556	1,100	1,934	2,669
AF912 HORIZONTAL	12	600	11,710	9,556	1,100	1,934	2,669
AF914 HORIZONTAL	14	900	12,990	10,659	1,270	2,095	2,830
AF916 HORIZONTAL	16	1,100	12,990	10,656	1,270	2,095	2,830
AF916XLP HORIZONTAL	16	1,500	17,020	13,930	1,270	2,675	3,415



MODEL	IN/OUT DIAMETER	MAX FLOW RATE	SURFACE AREA	EFFECTIVE AREA	H	H1	H2	NUMBER OF SCREENS
	INCH	M ³ /HR	CM ²	CM ²	MM	MM	MM	
AF914 VERTICAL	14	900	12,990	10,659	1,270	2,095	2,830	1
AF916 VERTICAL	16	1,100	12,990	10,656	1,270	2,095	2,830	1
AF916XLP VERTICAL	16	1,500	17,020	13,930	1,270	2,675	3,415	1
AF970 VERTICAL	20	2,300	34,040	27,860	3,461	760	1,460	2
AF 1200 VERTICAL	32	5,250	68,080	55,720	3,561	860	1,560	4
AF1400 VERTICAL	36	7,000	10,2120	83,580	3,600	900	1,600	6