

COMPACT ANGLE AF200

AUTOMATIC HYDRAULIC SCREEN FILTERS



APPLICATIONS

Automatic filter for primary filtration or automatic back up filter Low to medium flow ranges.

STANDARD CHARACTERISTICS

- Filter element: Stainless Steel screen AISI 316 mesh, 3 layer
- Available filtration: from 10 to 3000 micron
- Filter housing material of construction: Carbon Steel ST37.2
- Pre-treatment: sand blasting up to Sa 2.5 grade
- Two layered coating process consisting of a one primary coating Rich Zinc (60 - 70µm thickness) and a final protective coating of Phenolic Epoxy (70 - 80µm thickness)
- Connections: Threaded and Flanged
- Maximum recommended working pressure: up to 10 bar (145 psi)
- Minimum operating working pressure during flushing: 2 bar (29 psi)
- Equipped with pressure gauge which indicates the pressure difference of 5m
- Clean screen pressure loss: up to 0.1 bar (1.45psi)

OPERATION

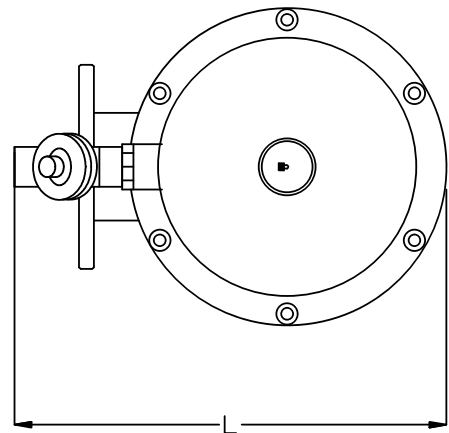
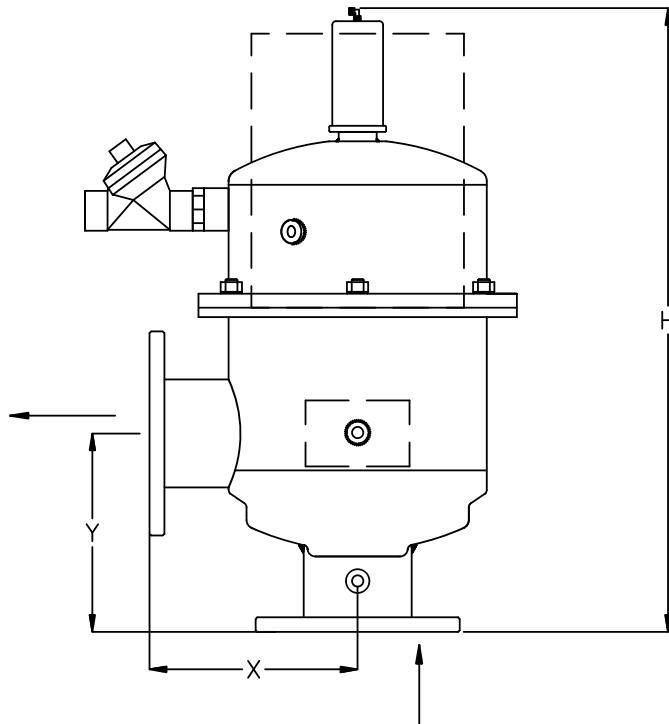
Automatic flushing of the fine screen is activated once the pressure differential (ΔP) in the filter reaches pre-determined value (up to 0.5 bar).

During the flushing cycle the flushing valve opens pressure is released from the hydraulic piston and debris laden water is discharged through the flushing valve. Pressure in the hydraulic motor chamber and the dirt collector is significantly lowered causing the dirt collector nozzles move along and rotate thus cleaning the whole internal screen surface.

The flushing cycle takes 5 to 13 seconds. The flushing valve closes at the end of the cycle pressure is reapplied to the piston, moving the nozzles back to their rest position and the filter is cleaned. During the whole process water supply is uninterrupted.

MODEL	IN/OUTLET DIAMETER	MAX FLOW	FILTRATION		BACK FLUSHING FLOW	X	Y	H	L	WEIGHT
			SURFACE	EFFECTIVE AREA						
	INCH	M ³ /HR	CM ²	CM ²	M ³ /HR	MM	MM	MM	MM	KG
AF202	2	30	1,110	679.5	6	220	197	507	465	43
AF202X	2	30	1,630	1,132.5	6	220	197	646	465	47
AF203	3	40	1,100	679.5	6	220	197	507	465	45
AF203X	3	50	1,630	1,132.5	6	220	210	641	465	48
AF204	4	80	1,630	1,132.5	12	220	210	641	465	50
AF204X	4	90	2,770	2,265.1	12	220	315	920	585	70
AF206-4	4	130	4,120	3,397.6	12	220	400	1,150	585	90
AF206	6	130	4,120	3,397.0	12	220	400	1,150	585	90
AF208-6	6	200	5,240	4,778.4	12	303	450	1,219	642	150
AF208	8	200	5,240	4,778.0	12	303	450	1,219	642	150

Maximum recommended Flow Rate - 120 micron in good quality water.



WATER QUALITY	PPM = MG/L
Good	< 15
Regular	15 - 50
Bad	50 - 100

FILTRATION	WATER QUALITY	AF202	AF202X	AF203	AF203X	AF204	AF204X	AF206	AF208
		2"	2"X	3"	3"X	4"	4"X	6"	8"
200μ	Good	25	30	40	50	80	90	130	200
200μ	Regular	20	25	35	45	70	80	90	170
200μ	Bad	15	20	25	35	40	50	70	130
100-150μ	Good	25	30	40	50	80	90	130	200
100-150μ	Regular	15	20	25	35	40	50	70	150
100-150μ	Bad	10	15	20	25	35	45	60	120

PRESSURE LOSS AT 120 MICRON

